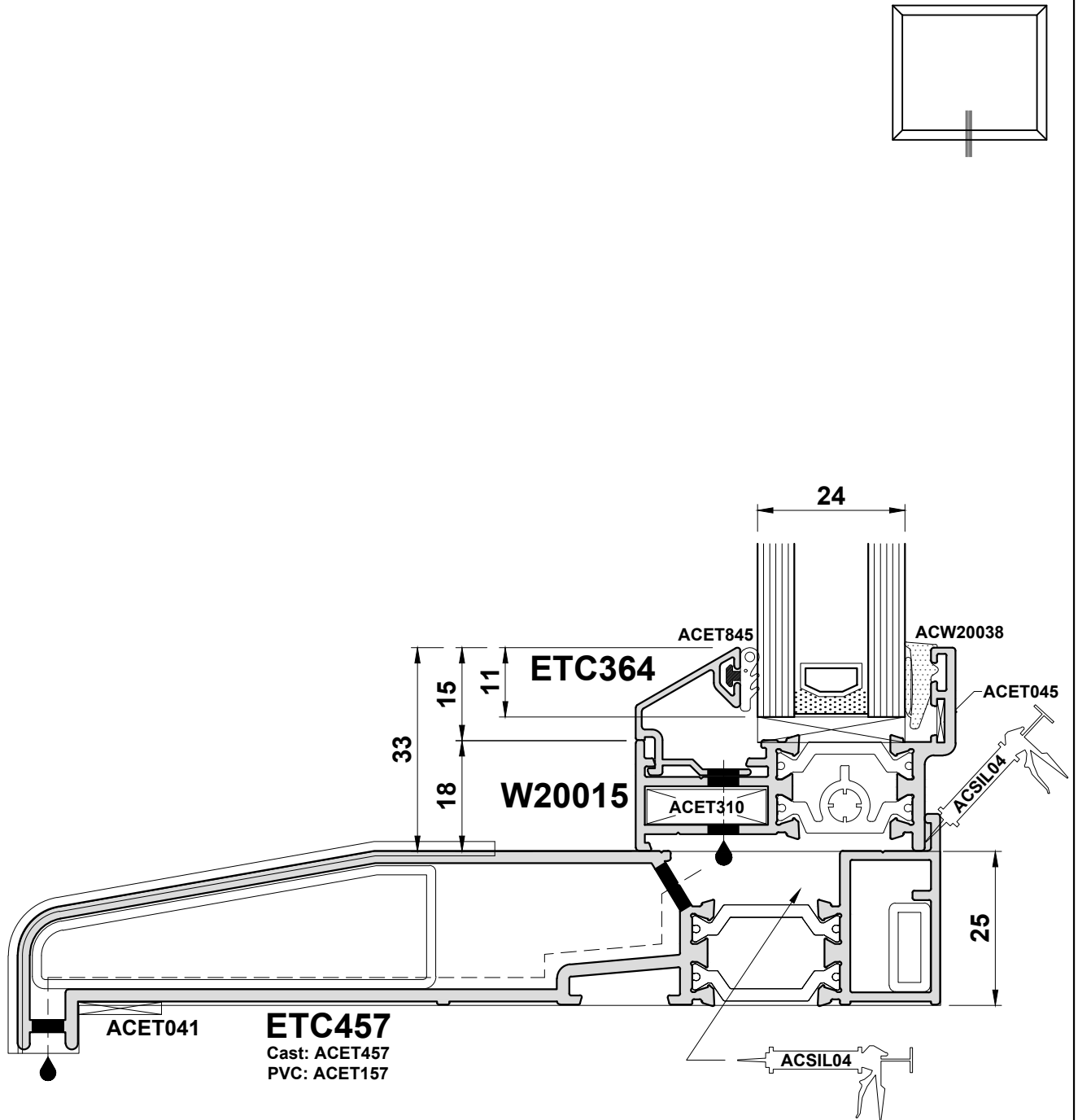
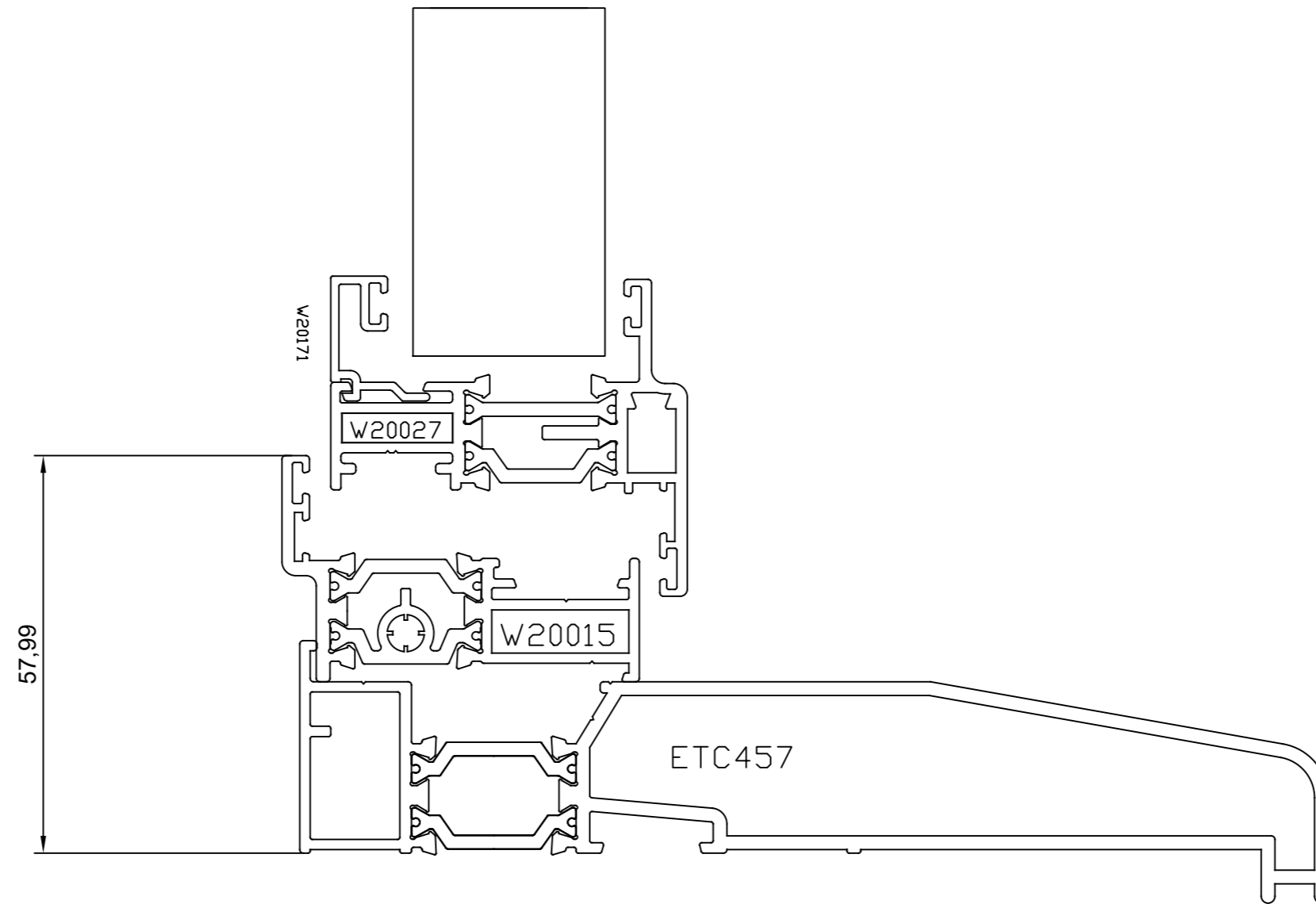


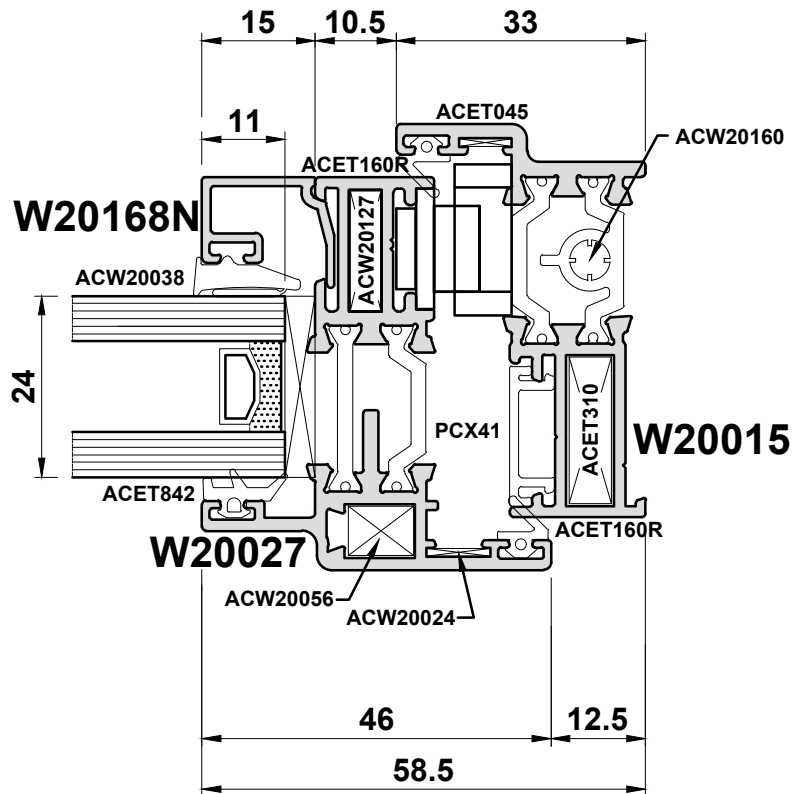
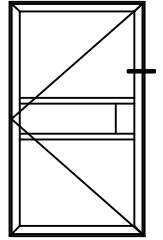
Detail 2A



Do Not Scale From This Drawing



**Detail 2A**



**Do Not Scale From This Drawing**