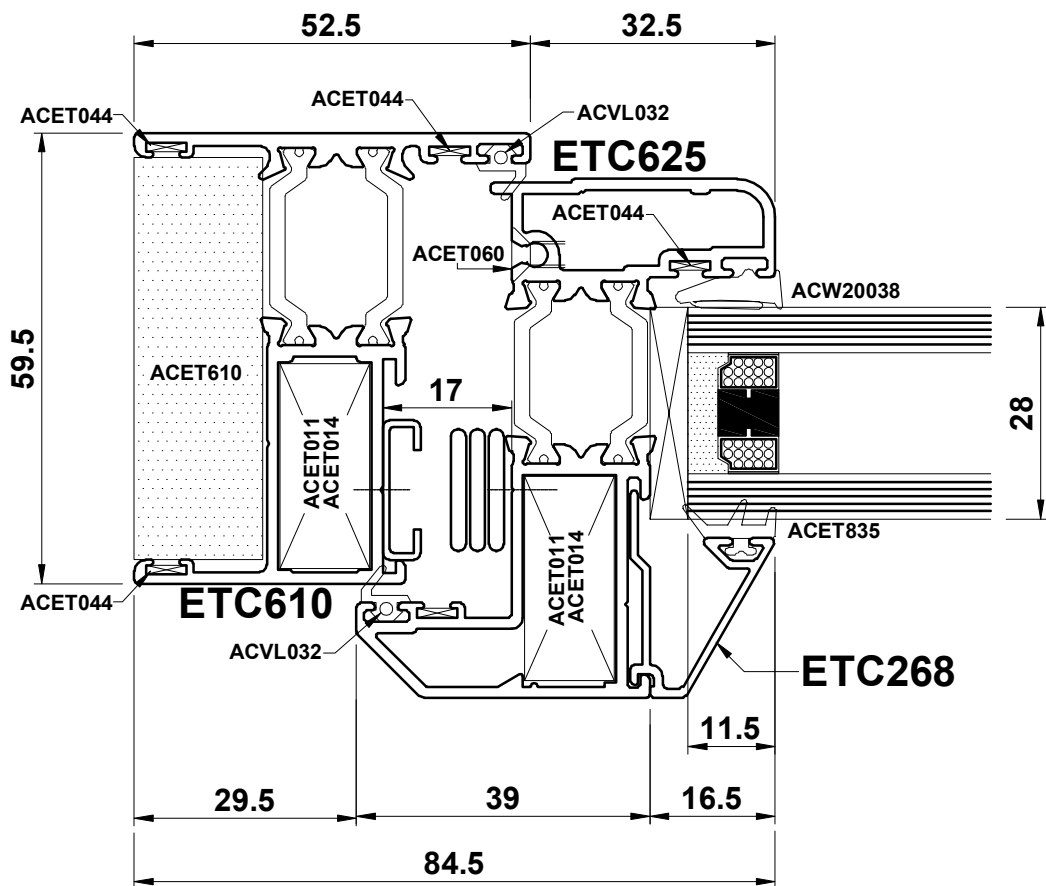
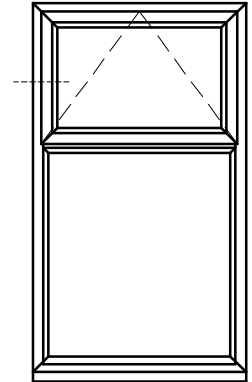
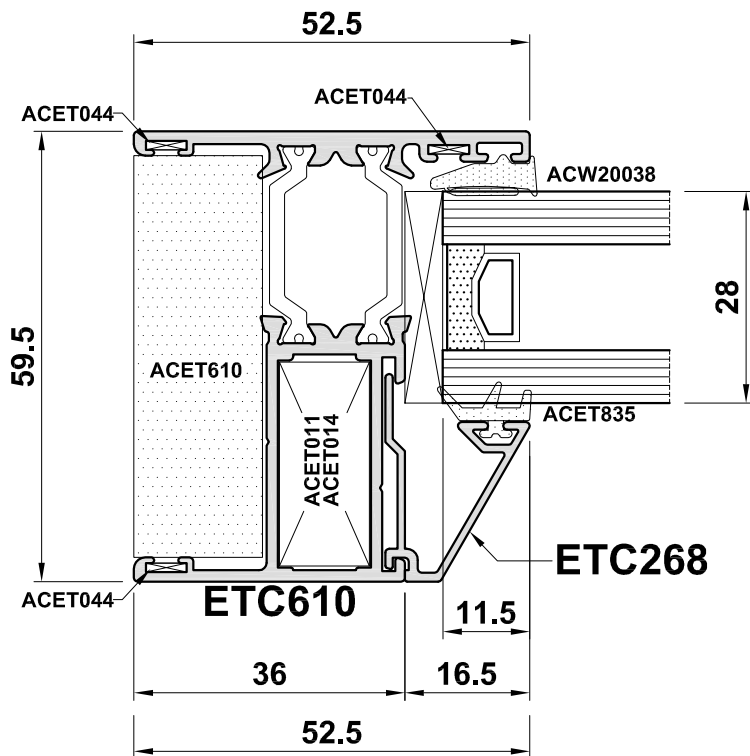
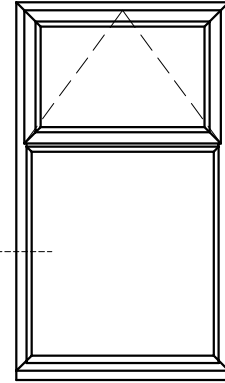


Detail 2B

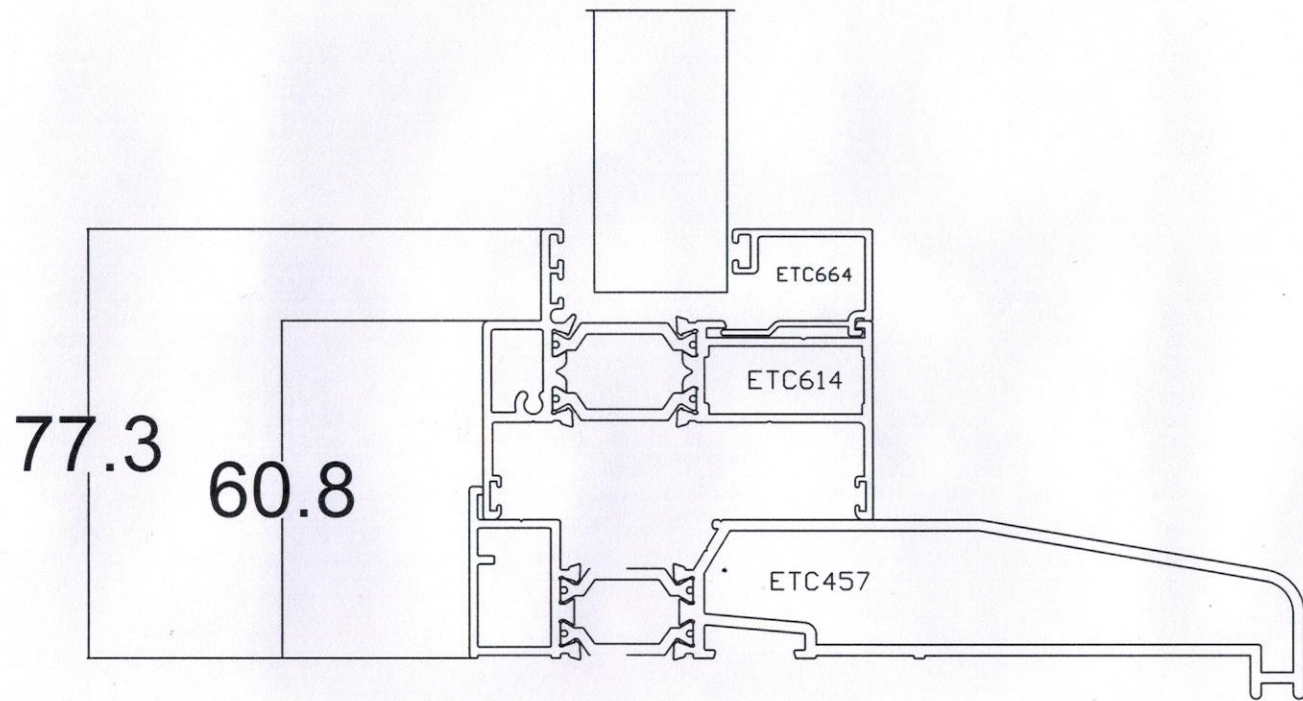


Do Not Scale From This Drawing

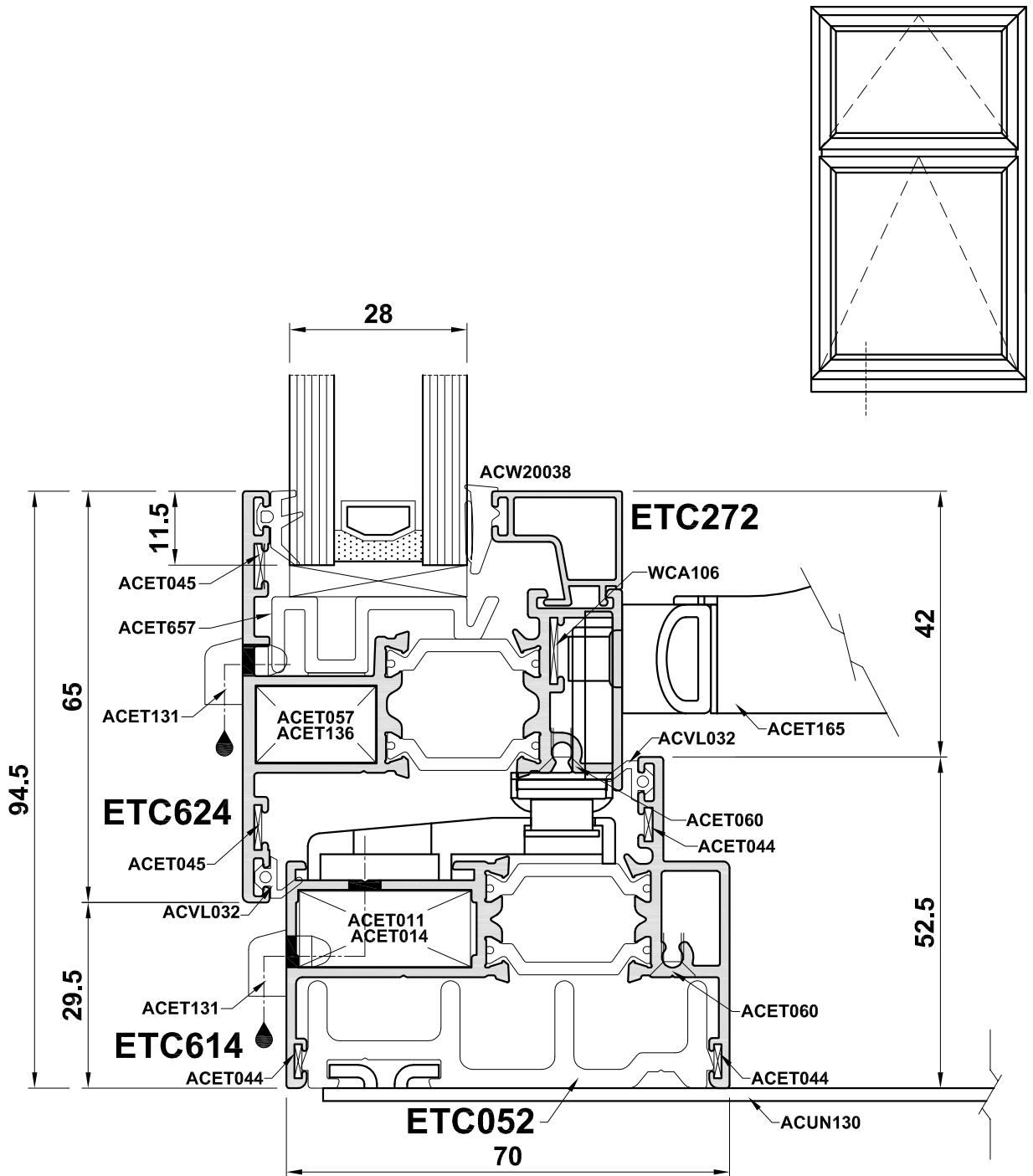
Detail 1B



Do Not Scale From This Drawing

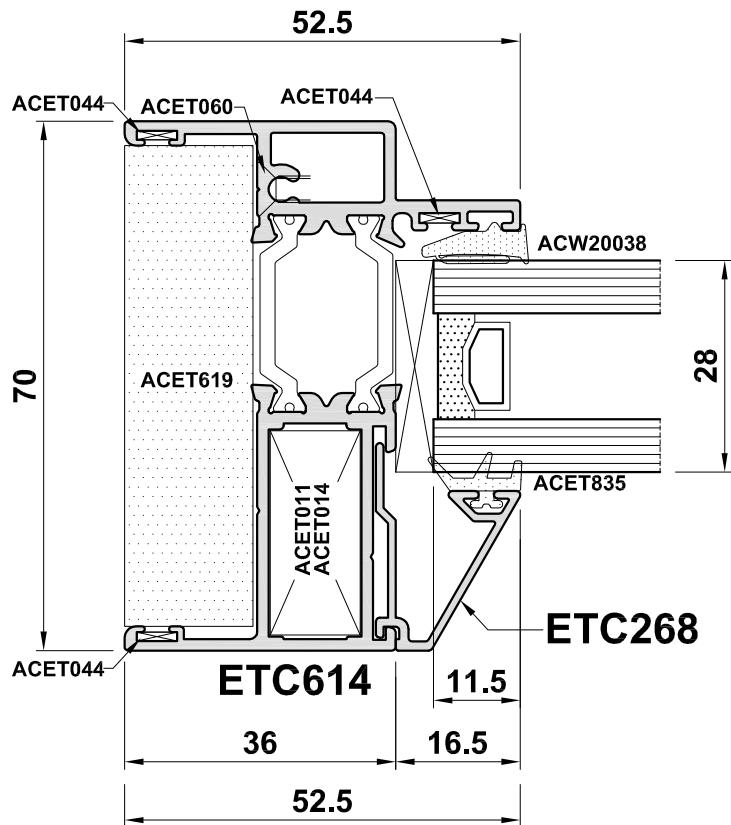
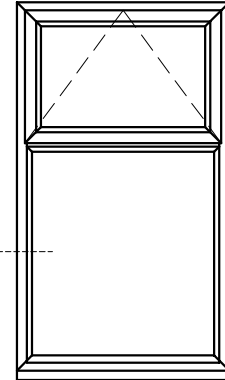


Detail 7B



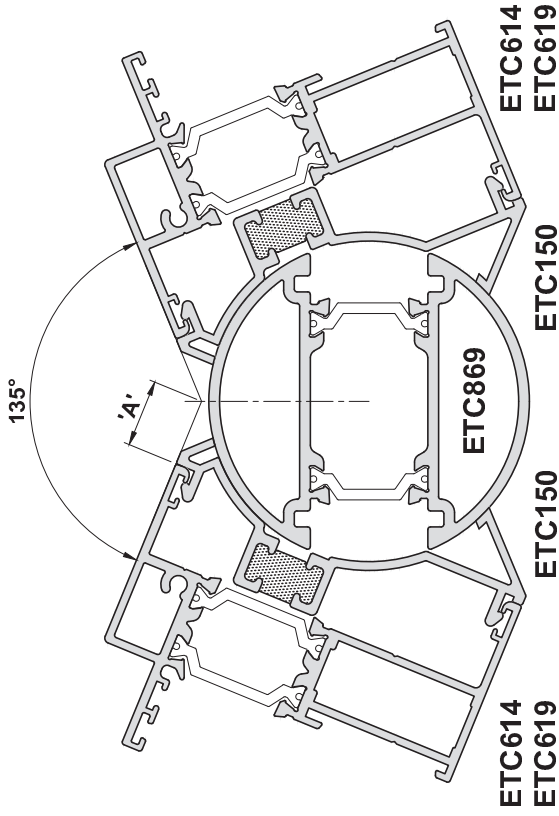
Do Not Scale From This Drawing

Detail 1D



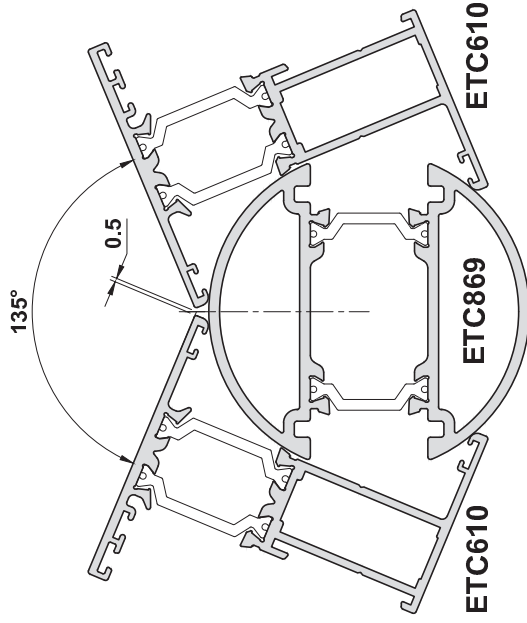
Do Not Scale From This Drawing

Bay Pole Angles/Deductions



ETC150 is NOT available in dual colour

ANGLE	DEDUCTION 'A'
180°	24.5
175°	23.5
170°	22
165°	20.5
160°	19
155°	18
150°	16.5
145°	15
140°	13.5
135°	12
130°	11
125°	9.5
120°	8
115°	6
110°	4.5



ANGLE	DEDUCTION 'A'
180°	13
175°	11.5
170°	10.5
165°	9
160°	8
155°	6.5
150°	5
145°	3.5
140°	2
135°	0.5

Do Not Scale From This Drawing